

oventrop

Tender specification:

Edge insulating strip

Made of perforated closed-cell polyethylene foam. It allows a movement or expansion of the screed of more than 5 mm according to DIN EN 1264-4, DIN 18560-T2.

With bonded foil for sealing of the gap between the base mat roll/folded board and the edge insulating strip.

The edge insulating strip, item no. 1402190, additionally features an adhesive strip.

Suitable for standard concrete and liquid screed.

Function:

Edge insulating strip

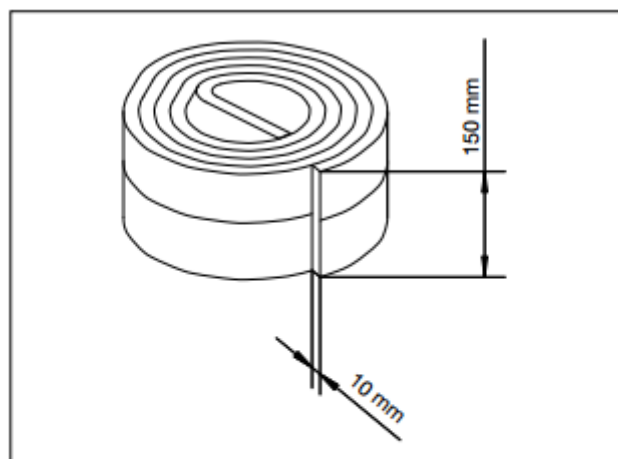
To provide a sound absorbing joint between the screed and the walls. The flexible edge insulating strip permits sufficient movement or expansion of the screed.

Non-absorbent, the polyethylene foam keeps its characteristics even after application of the screed.

The bonded foil prevents the concrete from flowing underneath the insulation.

The edge insulating strip can be used for standard concrete and liquid screed.

After having finished all flooring works, the projecting edge of the insulation strip can be easily torn off at the perforation.



Dimensions edge insulating strip

Height	Thick-ness	Adhesive strip	Length of roll	Packing unit	Item no.: (= 1 roll)
150 mm	10 mm	Yes	25 m	8 rolls (= 200 m)	1402191

